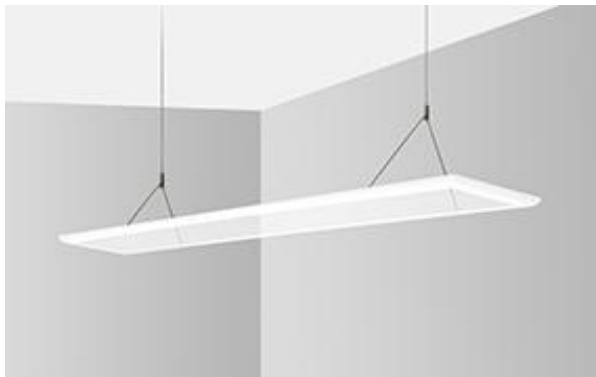


Slimo



Features

- Ultra modern, stylish and Innovative design
- Sheen designed for suspended up/down lighting
- Excellent surface treatment
- Transparent, Optional
- No UV or IR emissions
- Durable with life span over 50,000 hours
- 5 Years Guarantee
- Simple and convenient installation

Applications

Meets the general and decoration lighting environment such as:

- Offices
- Hotels
- Shops
- Schools
- Hospitals
- Meeting Rooms
- Restaurants



REV 1.2
4/4/2018

Sheenly LED Linear Light

Sheenly Ultra Slimo is an all new panel light specially designed for suspended installation. Thanks to its solid structure that Slimo does not sack or bend like normal panel light when suspended.

Slimo is also designed to give direct, indirect light towards the ceiling and the ground, creating a harmonious and mood pleasing lighting experience. Suitable for offices, shopping areas.

Specifications

Dimension

200*1200mm	1195*198*15mm
300*1200mm	1195*295*15mm

Power & Lumen Output

40W 30%up,70%down	4000 lm @ 4000K
40W 50%up,50%down	4000 lm @ 4000K

Color Temperature

Warm White	3000 ±200K
Natural White	4000 ±250K
Pure White	5700 ±350K

Color Rendering Index

>80

Rated Life (L80)

50,000 Hours

Housing

Aluminum

Optics

Opal/Micro Prismatic

Beam Spread

Double Side Model Up/Down Transparent

Operating Temperature

-20°C to +60°C (Amb.)

Input Voltage

200-240V/AC

Power Factor

>0.95

Working Voltage

40W 20 V/DC - 36 V/DC

Working Current

1050 mA

Net Weight

2.30 Kg

IP

IP20

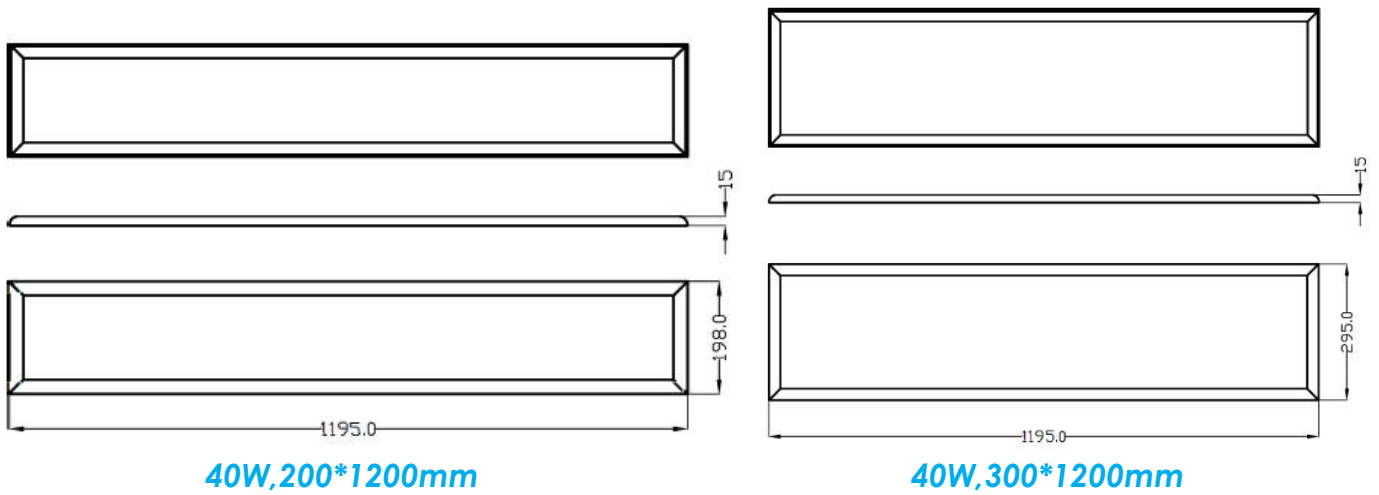
IK

IK08

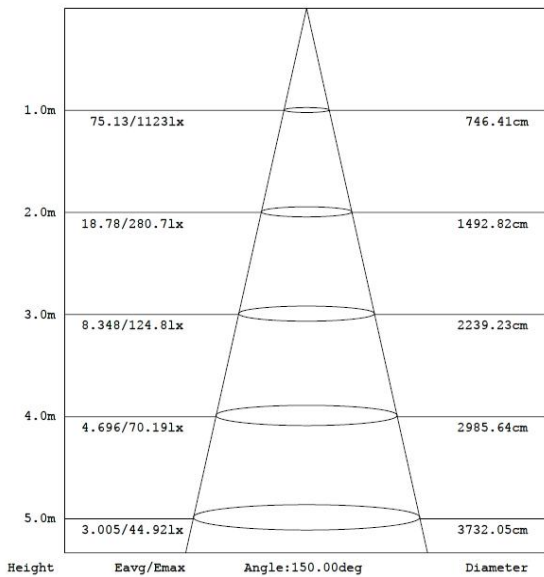
Installation

Pendant Mounted

Dimension



Illumination Diagram



Ordering Information

Sheenly	Class	Watt	CCT	Model	Finishing	Options
SL=Sheenly Lighting	PAN=Panel	40W	WW=3000 ±200K NW=4000 ±250K PW=5700 ±350K	SM	WH=White BK=Black	TP=Transparent

*Standard finishing comes in White, for other finishing color please specify when place the order.

Part Number	Power	CCT	Lumen Output	Beam	Dimension
SL-PAN-40W-WW-SM	40W	3000 ±200K	Up 1000 lm Down 2400 lm	30% UP 70% DOWN	1195*198*15 mm
SL-PAN-40W-NW-SM	40W	4000 ±250K	Up 1200 lm Down 2800 lm		1195*198*15 mm
SL-PAN-40W-PW-SM	40W	5700 ±350K	Up 1200 lm Down 2800 lm		1195*198*15 mm
SL-PAN-40W-WW-SM-TP	40W	3000 ±200K	3800	TRANSPARENT 50%UP 50%DOWN	1195*198*15 mm
SL-PAN-40W-NW-SM-TP	40W	4000 ±250K	4000		1195*198*15 mm
SL-PAN-40W-PW-SM-TP	40W	5700 ±350K	4000		1195*198*15 mm
SL-PAN-40W-WW-UD	40W	3000 ±200K	Up 1000 lm Down 2400 lm	30% UP 70% DOWN	1195*295*15 mm
SL-PAN-40W-NW-UD	40W	4000 ±250K	Up 1200 lm Down 2800 lm		1195*295*15 mm
SL-PAN-40W-PW-UD	40W	5700 ±350K	Up 1200 lm Down 2800 lm		1195*295*15 mm
SL-PAN-40W-WW-UD-TP	40W	3000 ±200K	3800	TRANSPARENT 50%UP 50%DOWN	1195*295*15 mm
SL-PAN-40W-NW-UD-TP	40W	4000 ±250K	4000		1195*295*15 mm
SL-PAN-40W-PW-UD-TP	40W	5700 ±350K	4000		1195*295*15 mm

*XW: 3000K/4000K/5700K

Accessory



Suspension Kit:
Steel Cables, Screws, accessories, etc.



Shanghai Sheenly Lighting Co., Ltd.

Bldg 22, No. 1688 Lianhang Road, Minhang District Shanghai 201112, China

Tel: (+86)-21-6411 3138 Fax: (+86)-21-6411 3862

*All specifications subject to change without notice.

©2009-2018 Sheenly Lighting all rights reserved.

Transparent series Slimo - Suspension Rope



☑ 1195 × 198 × 15mm

☑ 1195 × 295 × 15mm

