

## Lotus Element



- Up to 130 lm/watt
- Unique appearance, innovative heat sink design
- Low operating temperature, makes it extremely versatile under different easy/hard operating conditions
- Innovative reflector-mounting-mechanism for instant beam angle adjustment
- Superbly reliable high voltage constant current driver
- Light weight
- Easy Installation
- 5 Years Guarantee

### Applications

- Factory
- Warehouse
- Workshop
- Shop
- Industrial Lighting



## Sheenly LED Highbay Light

LED Bay Light - Lotus adopts qualified super bright LED as light source, which is stable, long life and no UV & IR emission. The special designed housing is stylish and fashionable with excellent heat management.

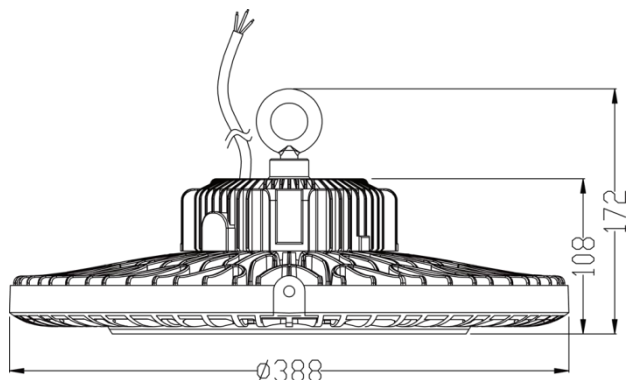
Lotus Highbay is a direct replacement for MH, HID and HPS. Lotus provides additional benefits of energy savings and significantly reduced maintenance costs.

Lotus highbay is offered with reflector choices of aluminum or clear acrylic lenses - making it ideal for a variety of applications. With the same light performance of Lotus bay light. Lotus ECO has easy installation driver, and has non-dimmable version as standard version. The whole structure well ensures IP65 waterproof and 5 years guarantee.

### Specifications

<b>Dimension</b>	D388*180 mm
<b>Power &amp; Lumen Output</b>	
100W	13000 lm @ 5700K Ra 80
160W	20800 lm @ 5700K Ra 80
200W	26000 lm @ 5700K Ra 80
230W	29900 lm @ 5700K Ra 80
<b>Color Temperature</b>	
Warm White	3000 ±200K
Natural White	4000 ±250K
Daylight White	5000 ±300K
Pure White	5700 ±350K
<b>Color Rendering Index</b>	>80
<b>Rated Life (L80)</b>	60,000 Hours
<b>Housing</b>	Aluminum
<b>Beam Spread</b>	
Transparent Tempered Glass	120°
Micro Prismatic PC	90°
Optional Reflector	60°
Operating Temperature	-40°C to +45°C (Amb.)
Input Voltage	90-305V/AC
Power Factor	>0.95
Net Weight	6.10 - 7.35 Kg
Glow Wire	960 °C
IP	IP65
IK	IK10
<b>Installation</b>	Pendent Mounted Wall Mounting Stem Mounted

### Dimension (mm)



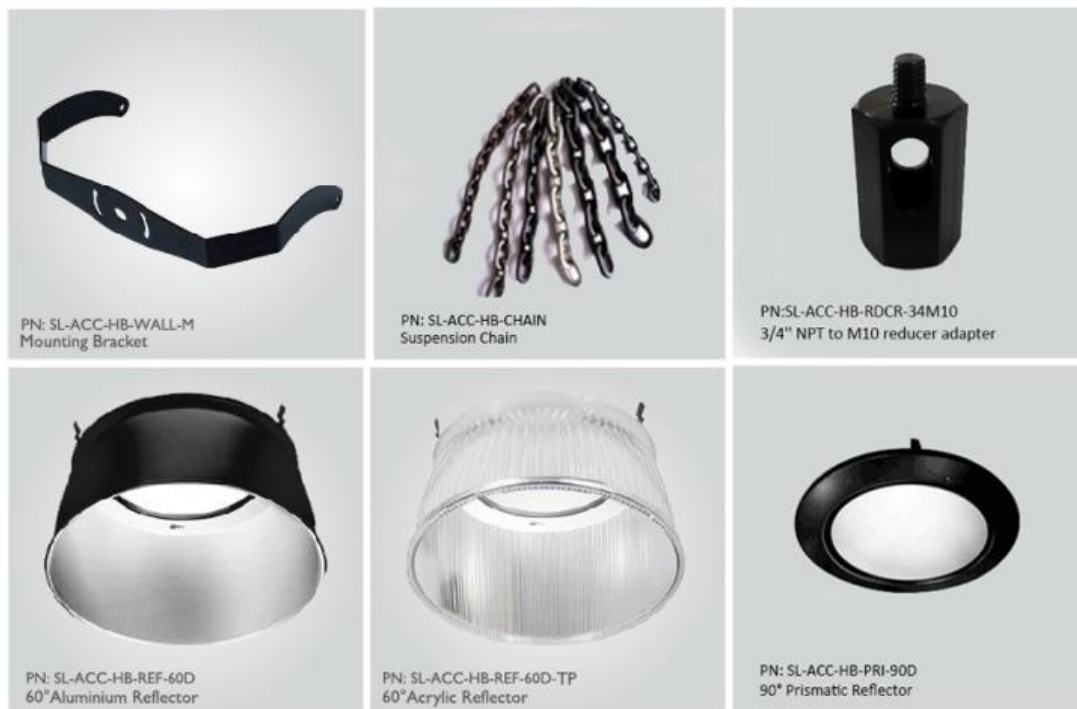
### Ordering Information

Sheenly	Class	Watt	CCT	Model	Finishing	Options
SL=Sheenly Lighting	BAY=Bay Light	100W 160W 200W 230W	WW=3000 $\pm$ 200K NW=4000 $\pm$ 250K DW=5000 $\pm$ 300K PW=5700 $\pm$ 350K	EN=Element version	BK as standard	Non-dimmable as standard -D= 1-10V -DL=Dali dimmable

\*Standard finishing comes in Black, for other finishing color please specify when place the order.

Part Number	Power	CCT	Lumen Output	Beam	Dimension
SL-BAY-100W-XW-EN	100W	3000K/4000K/5000K/5700K	13000 lm	60°/90°/120°	D388*180 mm
SL-BAY-160W-XW-EN	160W	3000K/4000K/5000K/5700K	20800 lm	60°/90°/120°	D388*180 mm
SL-BAY-200W-XW-EN	200W	3000K/4000K/5000K/5700K	26000 lm	60°/90°/120°	D388*180 mm
SL-BAY-230W-XW-EN	230W	3000K/4000K/5000K/5700K	29900 lm	60°/90°/120°	D388*180 mm

\*XW: WW 3000K /NW 4000K /DW 5000K /PW5700K

**Accessory**

## Optional Accessories:

- SL-ACC-HB-WALL-M** - Wall Mounting Fixture
- SL-ACC-HB-CHAIN** - Suspension Chain for Lotus
- SL-ACC-HB-RDCR-34M10** - 3/4" NPT to M10 reducer adapter
- SL-ACC-HB-REF-60D** - 60° Beam Reflector
- SL-ACC-HB-REF-60D-TP** - 60° Beam Micro Prismatic Reflector
- SL-ACC-HB-PRI-90D** - 90° Prismatic Reflector

**Shanghai Sheenly Lighting Co., Ltd.**

No. 2755 SanLu Road, Minhang District Shanghai 201112, China  
Tel: (+86)-21-6411 3138 Fax: (+86)-21-6411 3862

\*All specifications subject to change without notice.

©2009-2017 Sheenly Lighting all rights reserved.