

Lotus PRO



Features

- Up to 150 lm/watt
- Unique appearance, innovative heat sink design
- Low operating temperature, makes it extremely versatile under different easy/hard operating conditions
- Innovative reflector-mounting-mechanism for instant beam angle adjustment
- Superbly reliable Meanwell driver with built in 1-10V dimming function
- Light weight
- Easy Installation
- 7 Years Guarantee

Applications

- Factory
- Warehouse
- Workshop
- Shop
- Industrial Lighting



REV 1.1

12/08/2017

Sheenly LED Highbay Light

LED Bay Light – Lotus PRO adopts qualified super bright LED as light source, which are stable, long life and no UV & IR emission. The special designed aluminum housing is stylish and fashionable with excellent heat management.

Lotus PRO with the same appearance of Lotus bay light, while the performance is improved. Luminous efficiency up to 150 lm/w, 1000W Metal halide replacement. Extremely high efficiency to get more energy-saving from electricity. The whole structure well ensures IP65 waterproof and 7 years guarantee.

Specifications

Dimension

100W&160W	D388*172 mm
200W	D428*200 mm

Power & Lumen Output

100W	15,000 lm @ 5700K	Ra 80
160W	24,000 lm @ 5700K	Ra 80
200W	30,000 lm @ 5700K	Ra 80

Color Temperature

Warm White	3000 ±200K
Natural White	4000 ±250K
Daylight White	5000 ±300K
Pure White	5700 ±350K

Color Rendering Index

>80 (>70)

Rated Life (L80)

50,000 Hours

Housing

Aluminum

Beam Spread

Transparent Tempered Glass	120°
Micro Prismatic PC	90°
Optional Reflector	60°

Operating Temperature

-40°C to +45°C (Amb.)

Input Voltage

90-305V/AC

Power Factor

>0.95

Net Weight

6.10 - 7.35 Kg

Glow Wire

960 °C

IP

IP65

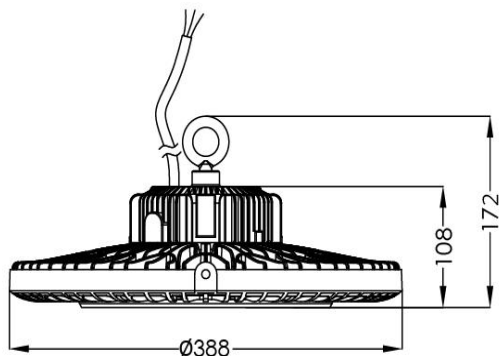
IK

IK10

Installation

Suspension
Wall Mounting

Dimension (mm)



Ordering Information

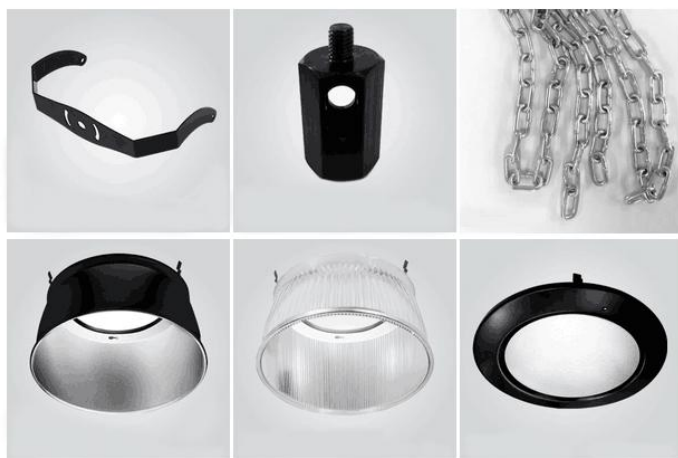
Sheenly	Class	Watt	CCT	Model	Finishing	Options
SL=Sheenly Lighting	BAY=Bay Light	100W 160W 200W	WW=3000 ±200K NW=4000 ±250K DW=5000 ±300K PW=5700 ±350K	PN	BK=Black	60D=60 Degree Beam 90D=90 Degree Beam 120D=120 Degree Beam

*Standard finishing comes in Black, for other finishing color please specify when place the order.

Part Number	Power	CCT	Lumen Output	Beam	Dimension
SL-BAY-100W-XW*-PN	100W	3000K/4000K/5000K/5700K	15,000 lm	60°/90°/120°	D388*172 mm
SL-BAY-160W-XW*-PN	160W	3000K/4000K/5000K/5700K	24,000 lm	60°/90°/120°	D388*172 mm
SL-BAY-200W-XW*-PN	200W	3000K/4000K/5000K/5700K	30,000 lm	60°/90°/120°	D428*200 mm

*XW: WW 3000k /NW 4000K /DW 5000K /PW 5700K

Accessory



Optional Accessories:

- SL-ACC-HB-WALL-M** - Wall Mounting Fixture
- SL-ACC-HB-RDCR-34M10** - 3/4" NPT to M10 Reducer Adapter
- SL-ACC-HB-CHAIN** - Suspension – Suspension Chain
- SL-ACC-HB-REF-60D** - 60° Beam Aluminum Reflector
- SL-ACC-HB-REF-60D-TP** - 60° Beam Acrylic Reflector
- SL-ACC-HB-PRI-90D** - 90° Prismatic Lens

Packing Information

Part Number	Pcs./Inner box	Master Carton Size[mm]	Pcs./Master Carton	Pcs./20' Container	Pcs./40' Container
SL-BAY-100W-XW-PN	1	L425*W425*H375	2	480	960
SL-BAY-160W-XW-PN	1	L425*W425*H375	2	480	960
SL-BAY-200W-XW-PN	1	L425*W425*H375	2	480	960

Shanghai Sheenly Lighting Co., Ltd.

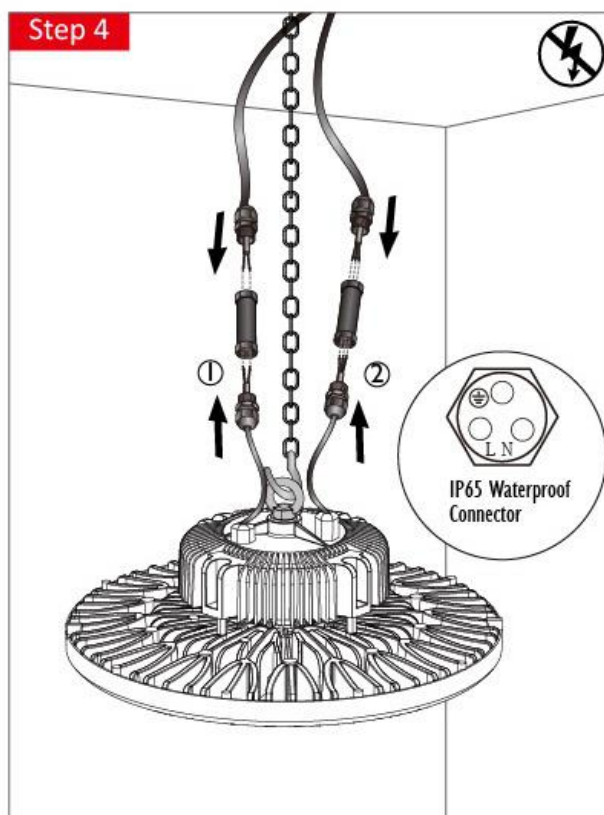
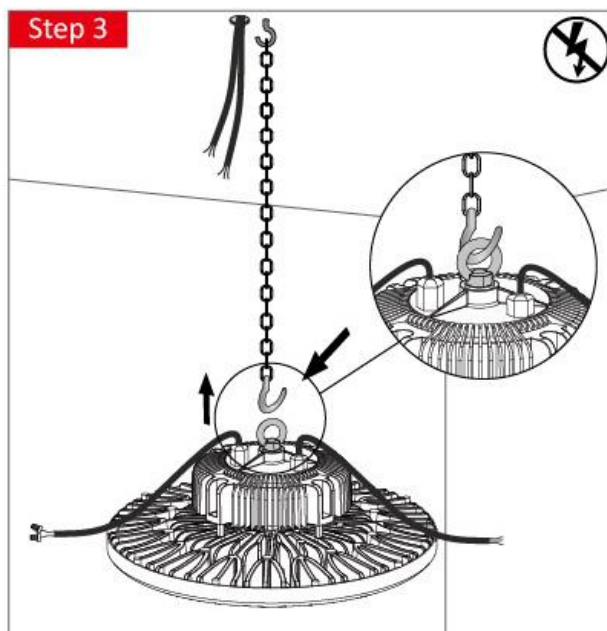
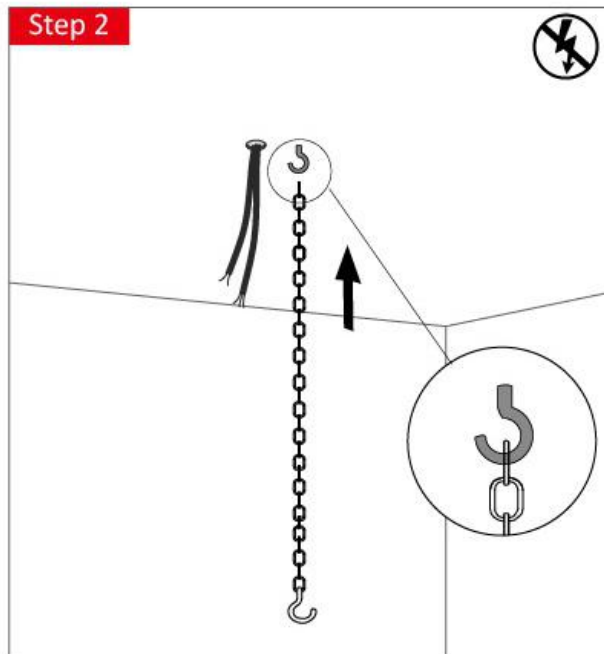
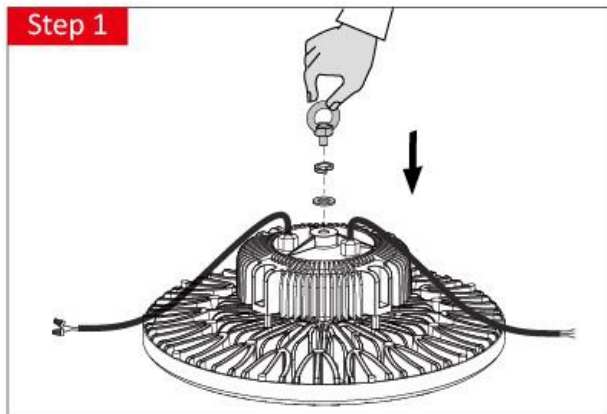
Bldg 22 No. 1688 Lianhang Road, Minhang District Shanghai 201112, China

Tel: (+86)-21-6411 3138 Fax: (+86)-21-6411 3862

*All specifications subject to change without notice.

©2009-2018 Sheenly Lighting all rights reserved.

Lotus Suspension Chain Installation Manual



Note:

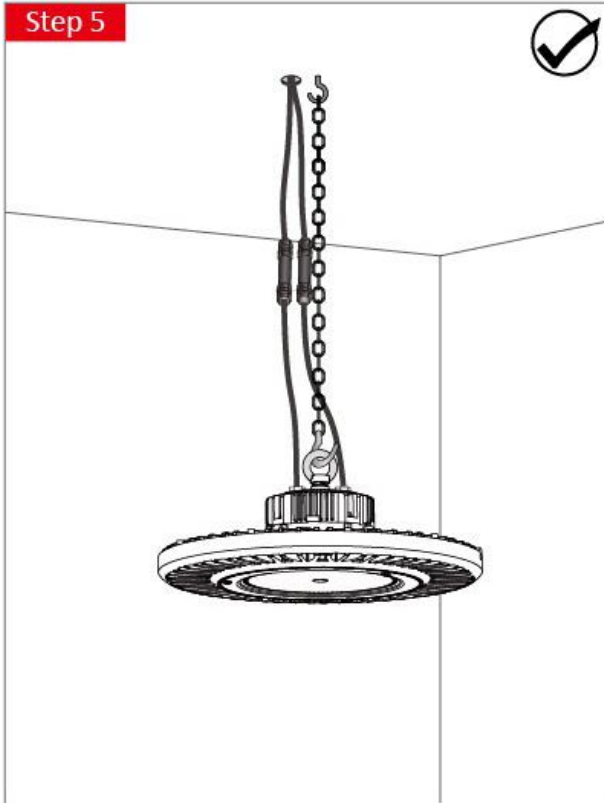
	CE version:	ETL version:
① I-10V dimming cable	+ Brown - Blue	+ Purple - Grey
② 100-277V AC cable	N Blue L Brown ⊕ Green	N White L Black ⊕ Green

Warning:

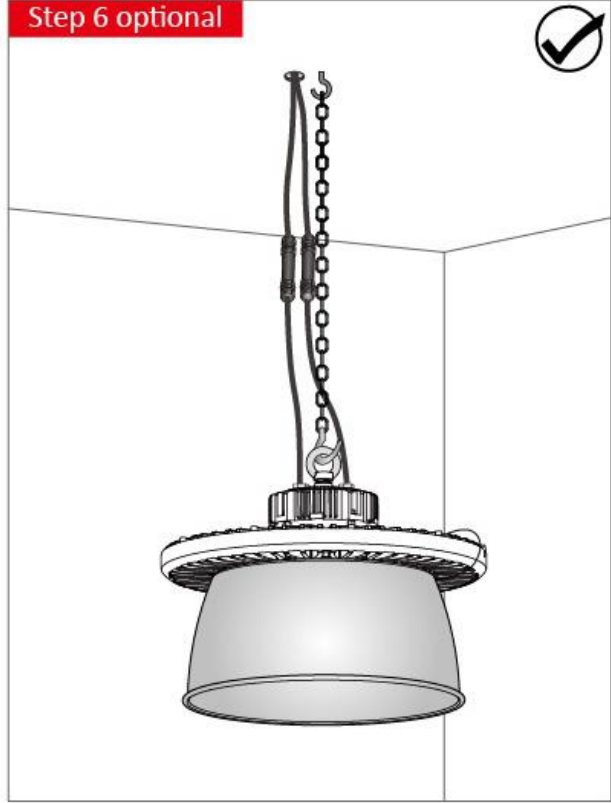
- ① Incorrect installation may result in power burned or a risk of a fire.
- ② If don't need dimming, protect the I-10V output with the protection caps provided with the product.

**Lotus
Suspension Chain Installation Manual**

Step 5

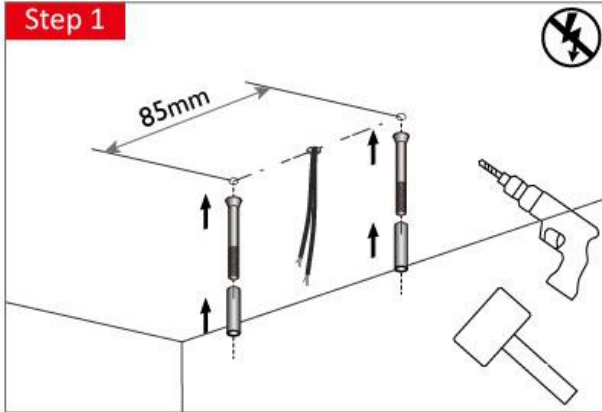


Step 6 optional

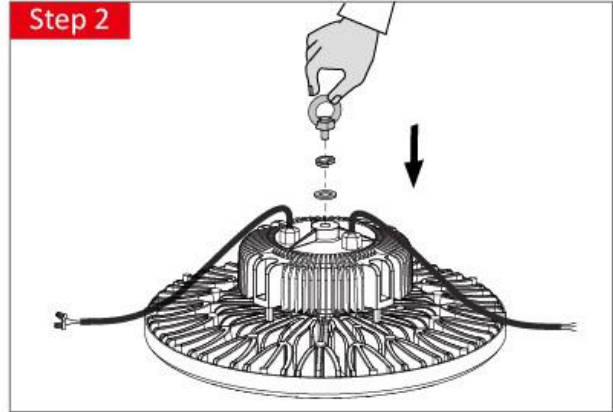


Lotus Wall Mounting Installation Manual

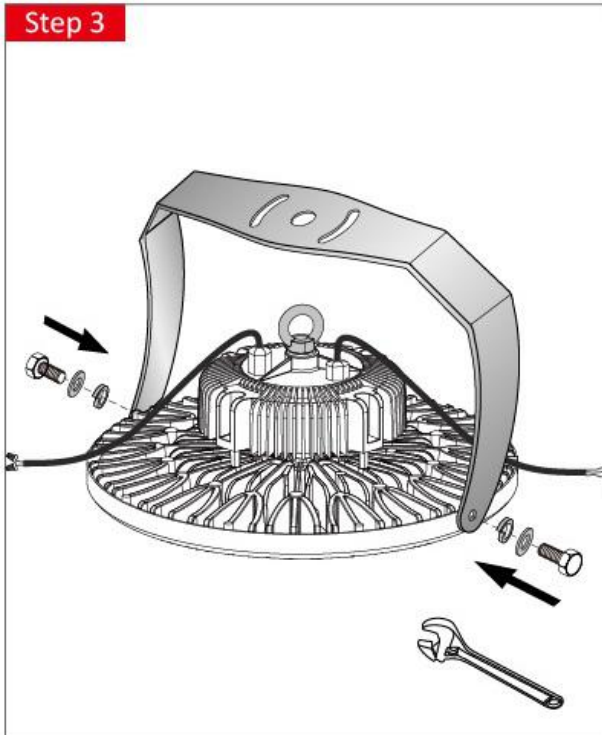
Step 1



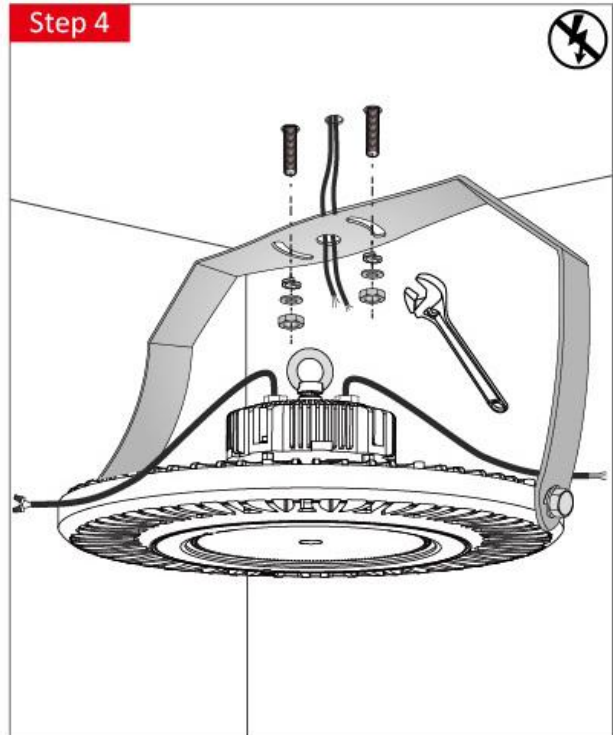
Step 2



Step 3



Step 4



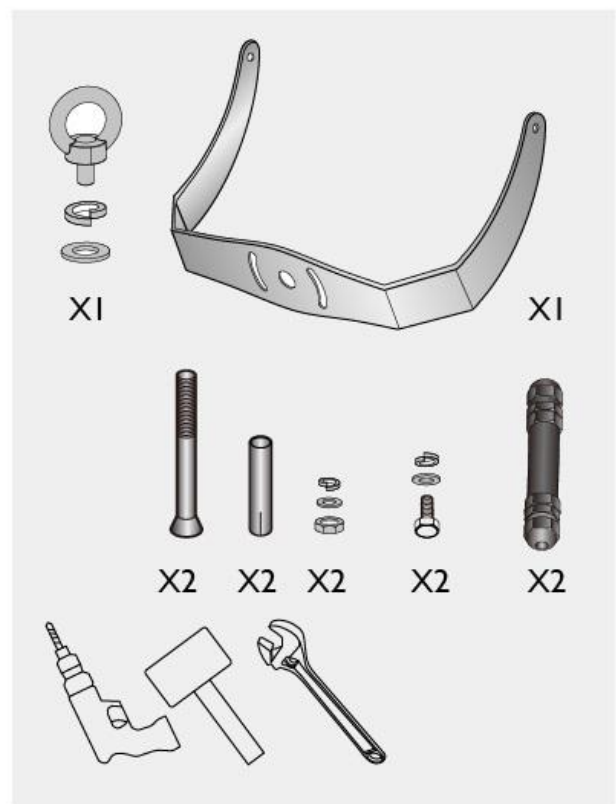
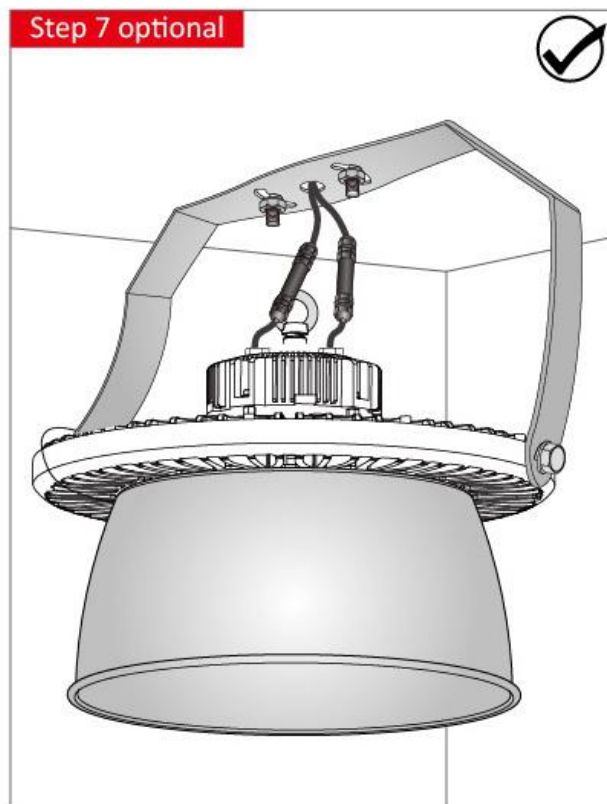
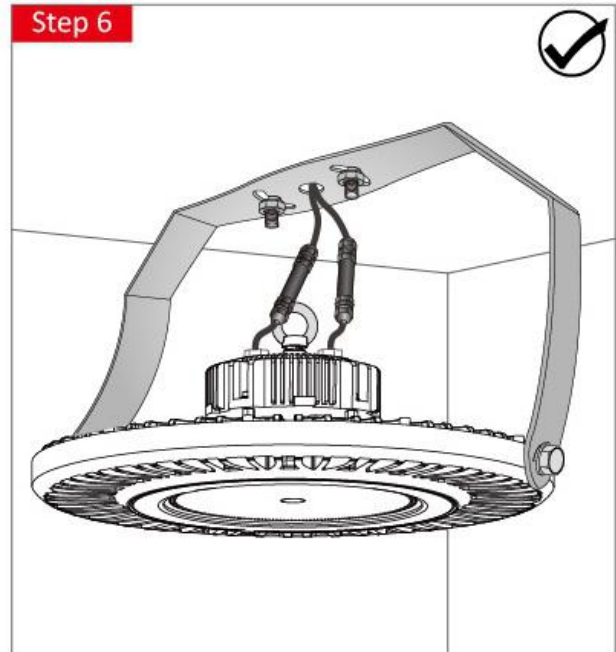
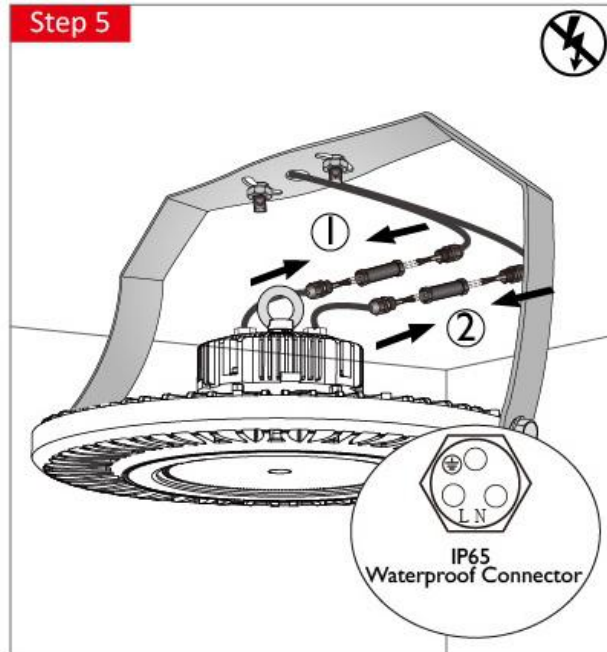
Note:

	CE version:	ETL version:
① 1-10V dimming cable	+ Brown - Blue	+ Purple - Grey
② 100-277V AC cable	N Blue L Brown ⊕ Green	N White L Black ⊕ Green

Warning:

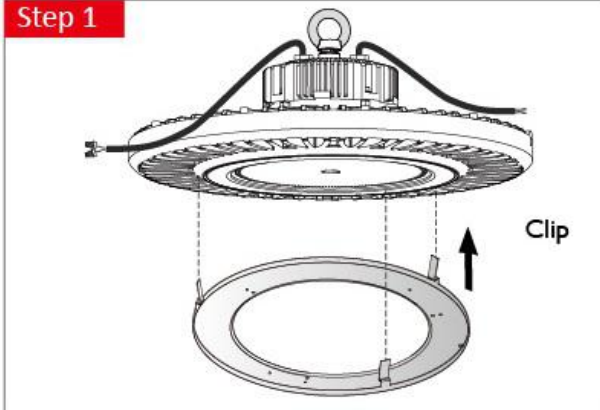
- ① Incorrect installation may result in power burned or a risk of a fire.
- ② If don't need dimming, protect the 1-10V output with the protection caps provided with the product.

Lotus Wall Mounting Installation Manual



Lotus 60° Reflector Installation Manual (optional)

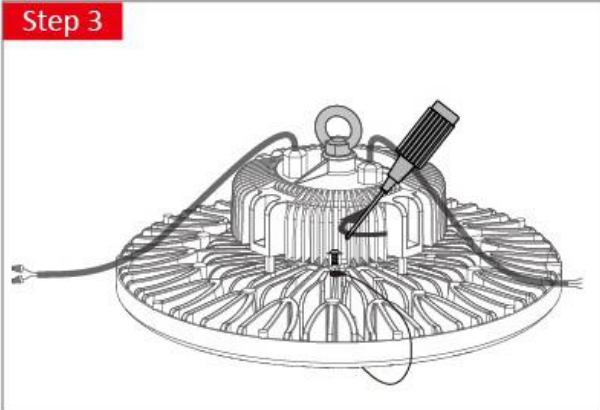
Step 1



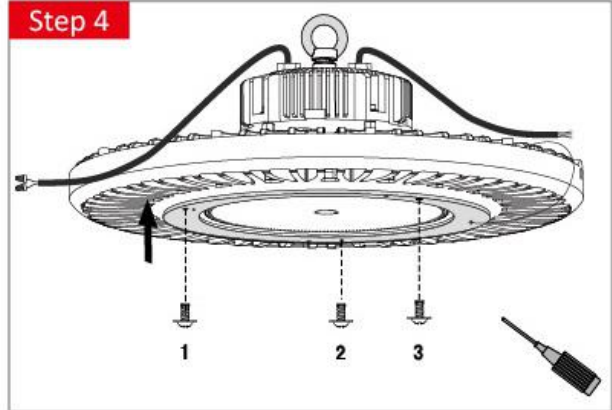
Step 2



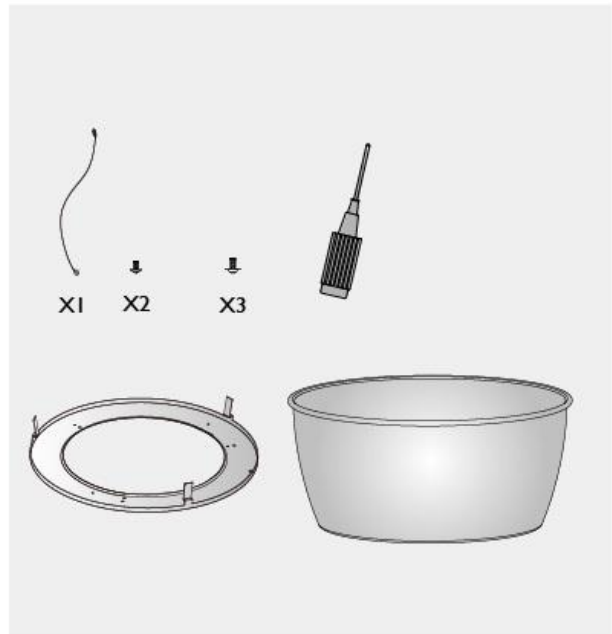
Step 3



Step 4

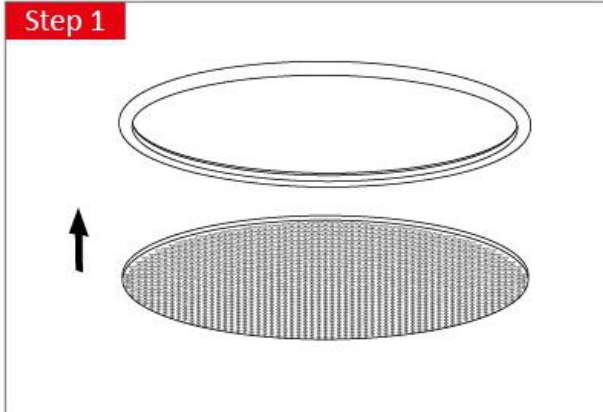


Step 5

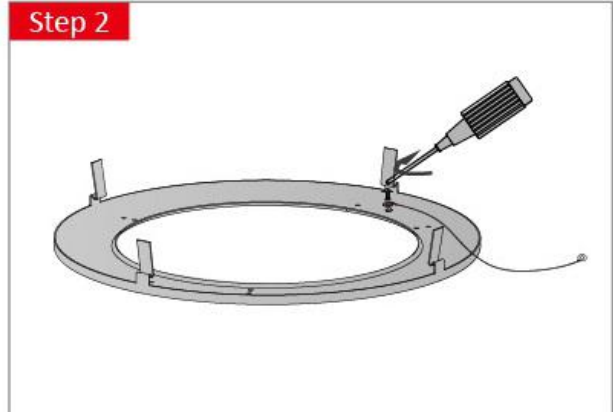


Lotus 90° Reflector Installation Manual (optional)

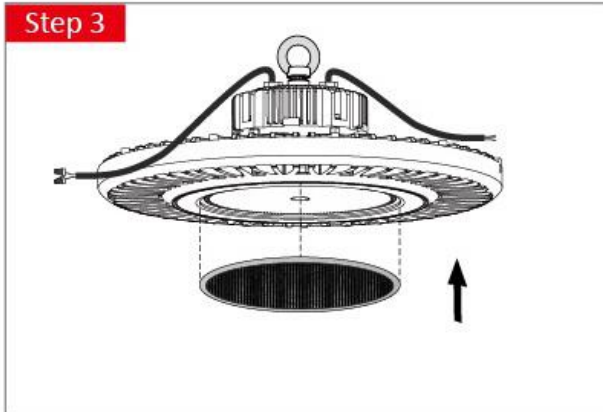
Step 1



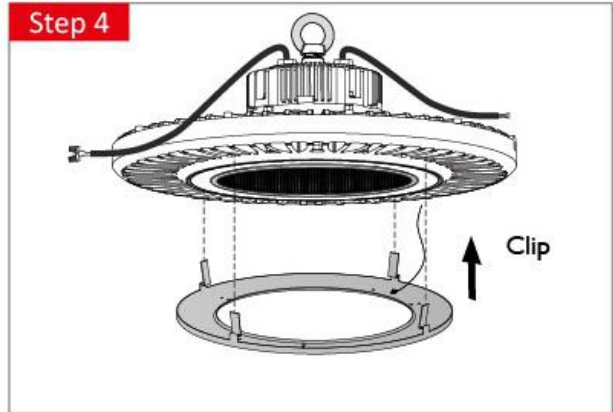
Step 2



Step 3



Step 4



Step 5

