

R980



Features

- Diameter 980mm
- Modern, stylish and Innovative design
- Uniform light output
- Durable with life span over 50,000 hours
- 5 Years Guarantee
- Simple and convenient suspending installation

Applications

Meets the general and decoration lighting environment such as:

- Offices
- Restaurants
- Hotels
- Shops
- Schools and Hospitals
- Hallway & lobbies
- Meeting Rooms



Sheenly LED Big Round Panel Light

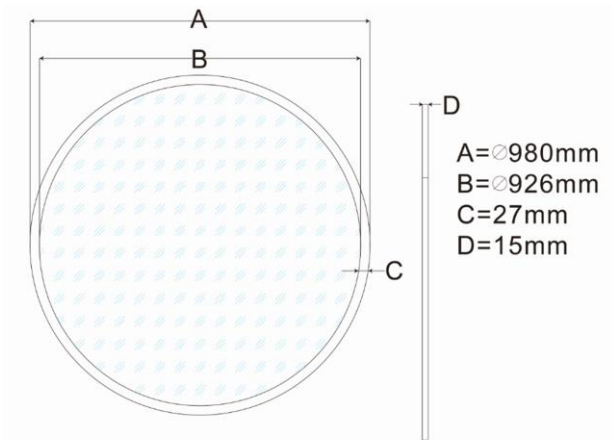
Sheenly LED Big Round Panel Light adopts qualified super bright LED as light source, which is stable, long life and no UV & IR emission. The anodized aluminum frame is stylish and fashionable with everlasting color. It is powered by low voltage constant current driver, which is safety, energy saving and long life.

Sheenly LED Panel light is a modern design of office lighting. Moreover, Sheenly Panel light creates extremely harmonies and uniform lights, which conventional light never achieved.

Specifications

Dimension	D980*15 mm
Power & Lumen Output	65W 5850 lm @ 4000K
Color Temperature	Warm White 3000 ±200K Natural White 4000 ±250K Pure White 5700 ±350K
Color Rendering Index	>80
Rated Life (L70)	50,000 Hours
Housing	Aluminum
Optics	Opal
Beam Spread	120°
Operating Temperature	-20°C to +40°C (Amb.)
Input Voltage	100-240V/AC
Power Factor	>0.95
Working Voltage & Current	65W 39±2 V/DC 1400mA
Net Weight	10 Kg
Glow Wire	650 °C (850°C Optional)
IP	IP40
Installation	Pendant Mounted

Dimension



Ordering Information

Sheenly	Class	Watt	CCT	Model	Finishing	Options
SL=Sheenly Lighting	PAN=Panel	65W	WW=3000 ±200K NW=4000 ±250K PW=5700 ±350K	R100	WH=White	

*Standard finishing comes in White, for other finishing color please specify when place the order.

Part Number	Power	CCT	Lumen Output	Beam	Dimension
SL-PAN-65W-WW-R100	65W	3000K/4000K/5700K	5850	120°	D980*15 mm
SL-PAN-65W-NW-R100			5850		
SL-PAN-65W-PW-R100			5850		

Accessory



Suspension Kit:
Round Driver Box, etc



Shanghai Sheenly Lighting Co., Ltd.

No. 2755 SanLu Road, Minhang District Shanghai 201112, China

Tel: (+86)-21-6411 3138 Fax: (+86)-21-6411 3862

*All specifications subject to change without notice.

©2009-2016 Sheenly Lighting all rights reserved.

**LED Round Panel Light R980
- Suspension**

