

## Jade Square



### Features

- Ultra modern, stylish and Innovative design
- variety of color cover is optional, Color of cover can be changed individually
- Energy efficient, 100lm/W
- No UV or IR emissions
- Durable with life span over 50,000 hours
- Environmentally friendly – fully recyclable, no mercury or other hazardous materials
- Very simple and convenient installation

### Applications

A perfect luminaire for open space area in various applications such as:

- Restaurants
- Offices
- Residential
- Theatres
- Shopping malls



## Sheenly Transparent Series Lighting

Sheenly new designed Transparent Light Jade Square is a revolutionary product, which developed for ceiling lighting. This product has a built-in driver, and stylish appearance with innovative design. Different color of cover makes it easy to adapt to different interior design themes.

A hybrid of edge lit technology gives an excellent blend of space lighting, making it the first of its kind in the lighting industry. Jade is a perfect luminaire for open space area in various applications.

### Specifications

#### Dimension

12W	290x290x42mm
18W	350x350x46mm
24W	390x390x46mm

#### Power & Lumen Output

12W	1200 lm @ 4000K
18W	1800 lm @ 4000K
24W	2400 lm @ 4000K

#### Color Temperature

Warm White	3000K ±200K
Natural White	4000K ±250K
Day White	5000K ±300K
Pure White	5700K ±350K

#### Color Rendering Index

>80

#### Rated Life (L70)

50,000 Hours

#### Housing

Aluminum

#### Optics

Transparent

#### Beam Spread

Up/Down

#### Operating Temperature

-20°C to +45°C (Amb.)

#### Input Voltage

200-240V/AC

#### Power Factor

>0.95

#### Working Voltage & Current

12W	27±2 V/DC & 350mA
18W	39±2 V/DC & 350mA
24W	27±2 V/DC & 700mA

#### Net Weight

1.05 – 1.25 Kg

#### Glow Wire

650 °C (850°C Optional)

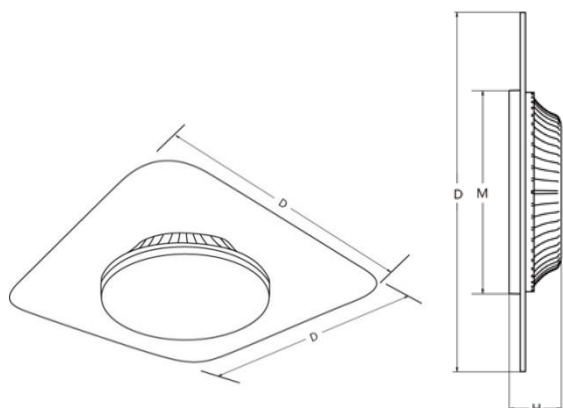
#### Protection

IP20/ IK05

#### Installation

Pendant/Wall/Stem Mounted

## Dimension



	Dimension D	Dimension H	Dimension M
	inch [mm]	inch [mm]	inch [mm]
<b>12W</b>	11.3" [290]	1.65" [42]	11.3" [290]
<b>18W</b>	13.8" [350]	1.81" [46]	13.8" [350]
<b>24W</b>	15.4" [390]	1.81" [46]	15.4" [390]

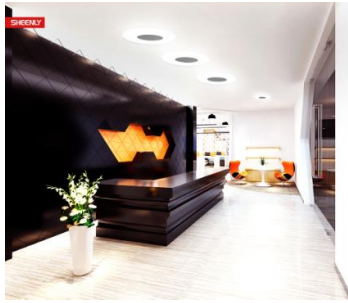
## Ordering Information

Sheenly	Class	Watt	CCT	Model	Finishing	Options
SL=Sheenly Lighting	PAN=Panel	<b>12W</b>	<b>WW=3000 ±200K</b>	<b>JS</b>	<b>WH=White</b>	<b>D=Dimmable</b> <b>OC=Occupancy Sensor</b>
		<b>18W</b>	<b>NW=4000 ±250K</b>	<b>JS-D</b>		
		<b>24W</b>	<b>DW=5000 ±300K</b>	<b>JS-OC</b>		
			<b>PW=5700 ±350K</b>			

\*Standard finishing comes in White, for other finishing color please specify when place the order.

Part Number	Power	CCT	Lumen Output	Beam	Dimension Inch [mm]
SL-PAN-12W-XW-JS	12W	3000 ±200K	1200	UP/DOWN Transparent	290*290*42
SL-PAN-18W-XW-JS	18W	4000 ±250K	1800		350*350*46
SL-PAN-24W-XW-JS	24W	5000 ±300K	2400		390*390*46
SL-PAN-12W-XW-JS-D	12W	3000 ±200K	1200	UP/DOWN Transparent	290*290*42
SL-PAN-18W-XW-JS-D	18W	4000 ±250K	1800		350*350*46
SL-PAN-24W-XW-JS-D	24W	5000 ±300K	2400		390*390*46
SL-PAN-12W-XW-JS-OC	12W	3000 ±200K	1200	UP/DOWN Transparent	290*290*42
SL-PAN-18W-XW-JS-OC	18W	4000 ±250K	1800		350*350*46
SL-PAN-24W-XW-JS-OC	24W	5000 ±300K	2400		390*390*46

## Application



**Shanghai Sheenly Lighting Co., Ltd.**

No. 2755 SanLu Road, Minhang District Shanghai 201112, China

Tel: (+86)-21-6411 3138 Fax: (+86)-21-6411 3862

\*All specifications subject to change without notice.

©2009-2017 Sheenly Lighting all rights reserved.

## Jade Ceiling Light Installation Manual



Available Type:  Surface Mounting  Wall Mounting

**Step 1**

Jade	A(mm)
12W	100
18W	116
24W	116

**Step 2**

**Step 3**

**Step 2**

**Step 2**

100-277V AC cable

- N Blue
- L Brown
- ⊕ Yellow

**Step 2**

**Step 7**

X2 X2

**Lighting Up  
a New World**