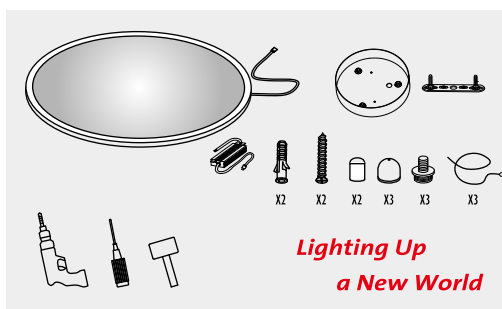
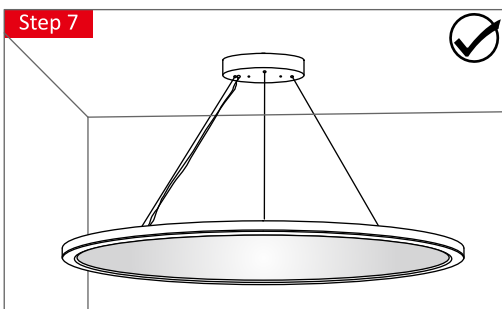
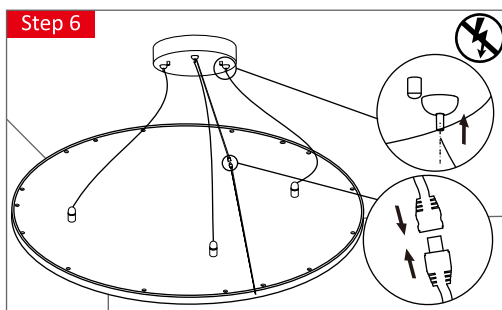
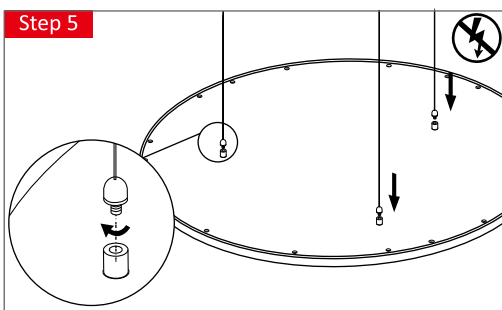
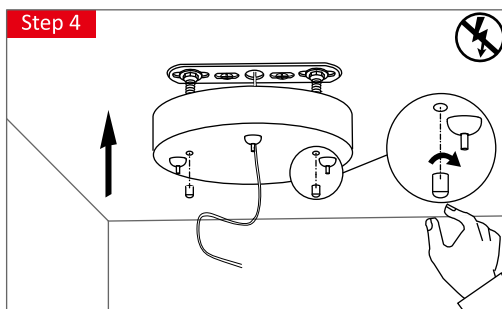
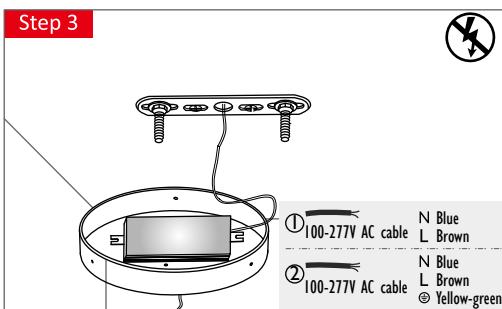
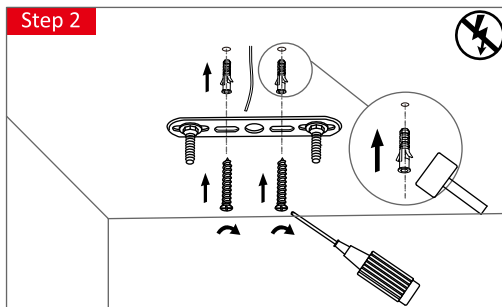
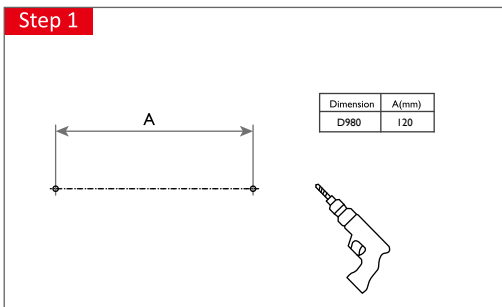


**LED Round Panel Light R980**  
- Suspension

**SHEENLY**

REV: V2.1 2017/05/25

**SHEENLY**®



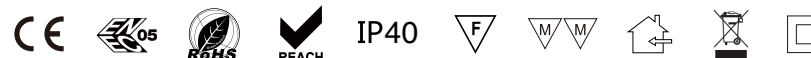
**Office Lighting  
R980**



LED Panel Light Information

**Installation Manual**  
EMEA (Europe, the Middle East and Africa) & Asia

- ⚠ Incorrect installation may result in power burned or a risk of a fire.
- ⚡ Ensure the main electrical supply is switched off before installing or maintenance.



**Sheenly Lighting Co.,Ltd.**

No.2755, Sanlu Road, Bldg1, Minhang District, Shanghai 201112, China.

Tel: +86-21-6411 3138

Fax: +86-21-6411 3862

Email: sales@sheenly.com

www.sheenly.com



Mobile APP